



Features & Options

- Single Pressure Range and Single Output Range
- Multiple Color LED Pressure Indication
- Free NIST Certificate Included with Each Pressure Unit
- Simple Auto-Zero Process
- Reverse Wiring Protection

BAPI's Fixed Range Pressure Sensor (FRP) is an economical solution for any cost-conscious application. The FRP features one factory-set pressure range and one factory-set output range.

A single button is used to auto-zero the unit, and a 5-color LED indicates the pressure status.



Fixed Range Pressure

Sensor with Attached Static Tube

The unit is available with an Attached Static Tube so it doesn't require two trades to install. Choose the **(-AT)** option in the Static Pressure Tube section.



Specifications

Power:

18 to 28 VAC, 0.4 VA max
9 to 32 VDC with 0 to 5V output, 10 mA max
13 to 32 VDC with a 0 to 10V out, 10mA max

Accuracy at 72°F

±1% for pressures ≤ 0.25" WC (62.5 Pa)
±0.5% for pressures > 0.25" WC (62.5 Pa)

Temperature Error

0.01% FS/°F (0.02% FS/°C)
(±5.0 in WC [1,250 Pa] @ 14 to 140°F [-10 to 60°C])

0.04% FS/°F (0.07% FS/°C)
(±1.0 in WC [250 Pa] @ 14 to 140°F [-10 to 60°C])

Environmental Operation Range:

14°F to 140°F (-10°C to 60°C)

Storage Temperature: -40 to 203°F (-40 to 95°C)

Stability: 0.15% FS per year

Overpressure

Proof: 27.68 in W.C. (1 PSI)
Burst: 41.52 in W.C. (1.5 PSI)

Wiring*: 3-wires, AC or DC powered, Voltage out

Humidity: 0 to 95% RH, non-condensing

Port Connection: 1/4" tubing (1/8" to 3/16" I.D.)

*BAPI recommends that you do not run wiring for the pressure transmitter in the same conduit as line voltage wiring or with wiring used to supply highly inductive loads such as motors, generators, and coils.

Enclosure Material:

UV-resistant Polycarbonate, UL94, V-0

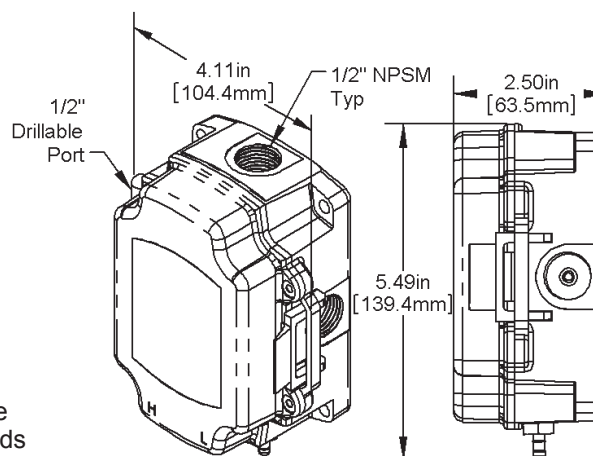
Enclosure Rating: IP66, NEMA 4

5-Color LED:

Red – over pressure
Green – top half of span
Amber – center of span
Blue – bottom half of span
Purple – under pressure

Mounting:

Four external tabs with holes for #10 screws





Fixed Range Pressure Option Selection Guide

ZPS - (#1) - (#2) - (#3)

#1: Pressure Output (required)

- 05..... 0 to 5 V
- 10..... 0 to 10 V
- 12..... 2 to 10 V
- 15..... 1 to 5 V

#2: Pressure Range (required)

UNIDIRECTIONAL RANGES

<u>WC Ranges</u>	<u>Pascal Ranges</u>
FR51.. 0 to 0.10	FR61.....0 to 30
FR52.. 0 to 0.25	FR62.....0 to 50
FR53.. 0 to 0.50	FR63.....0 to 100
FR55.. 0 to 1.00	FR65.....0 to 250
FR91.. 0 to 1.25	FR82.....0 to 300
FR73.. 0 to 2.50	FR83.....0 to 500
FR74.. 0 to 3.00	FR84.....0 to 1,000
FR75.. 0 to 5.00	FR85.....0 to 1,250

#2: Pressure Ranges continued...

BIDIRECTIONAL RANGES

<u>WC Ranges</u>	<u>Pascal Ranges</u>
FR56.. -0.10 to 0.10	FR66..... -30 to 30
FR57.. -0.25 to 0.25	FR67..... -50 to 50
FR58.. -0.50 to 0.50	FR68..... -100 to 100
FR60.. -1.00 to 1.00	FR70..... -250 to 250
FR96.. -1.25 to 1.25	FR87..... -300 to 3000
FR78.. -2.50 to 2.50	FR88..... -500 to 500
FR79.. -3.00 to 3.00	FR89.. -1,000 to 1,000
FR80.. -5.00 to 5.00	FR90.. -1,250 to 1,250

#3: Static Pressure Tube (required)

- BB-NT.. No Tube included
- BB-ST.. Static Pressure Tube included
- BB-AT .. Attached Static Pressure Probe

Factory set Custom Ranges are available for these units. Contact your BAPI representative for ordering.

Example Number: ZPS - (**05**) - (**FR73**) - (**BB-ST**)

Actual Number (with parenthesis removed): ZPS-05-FR72-BB-ST

Description: 0 to 5 V Output, 0 to 2.50" WC Pressure Range, FRP Unit with Static Tube.

Your Number: ZPS-